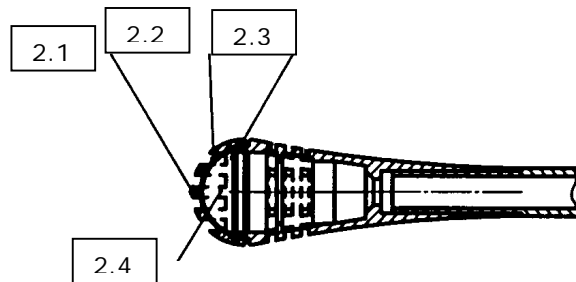
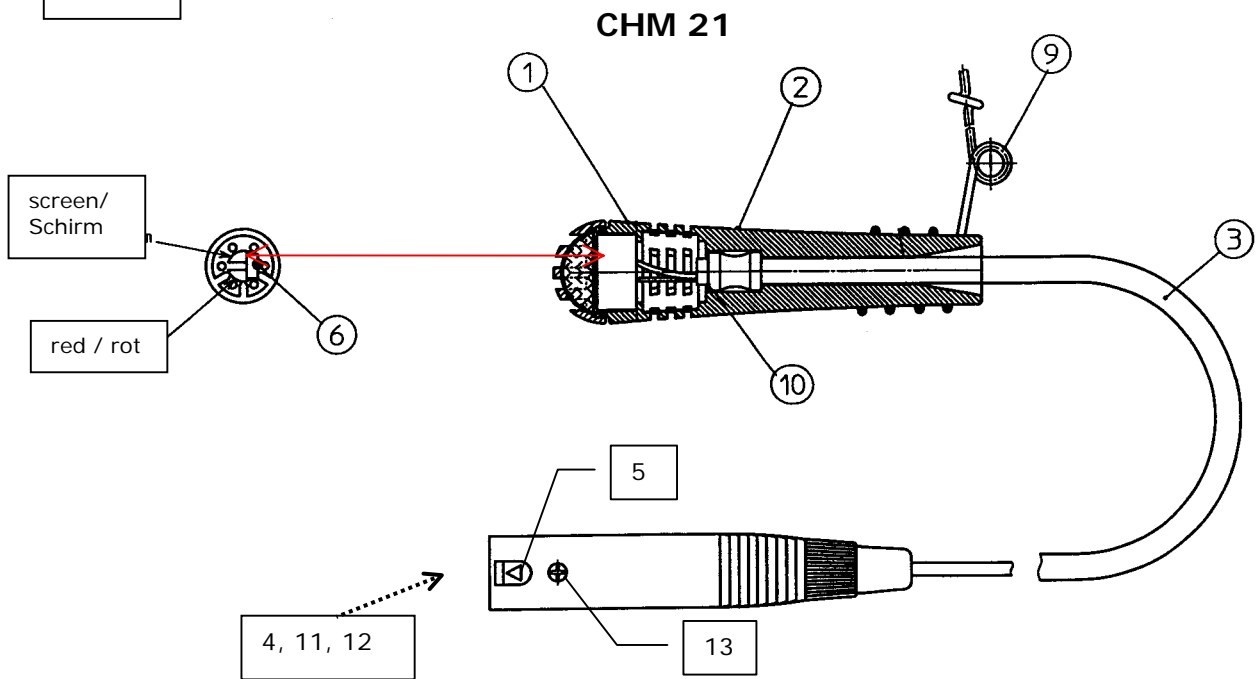
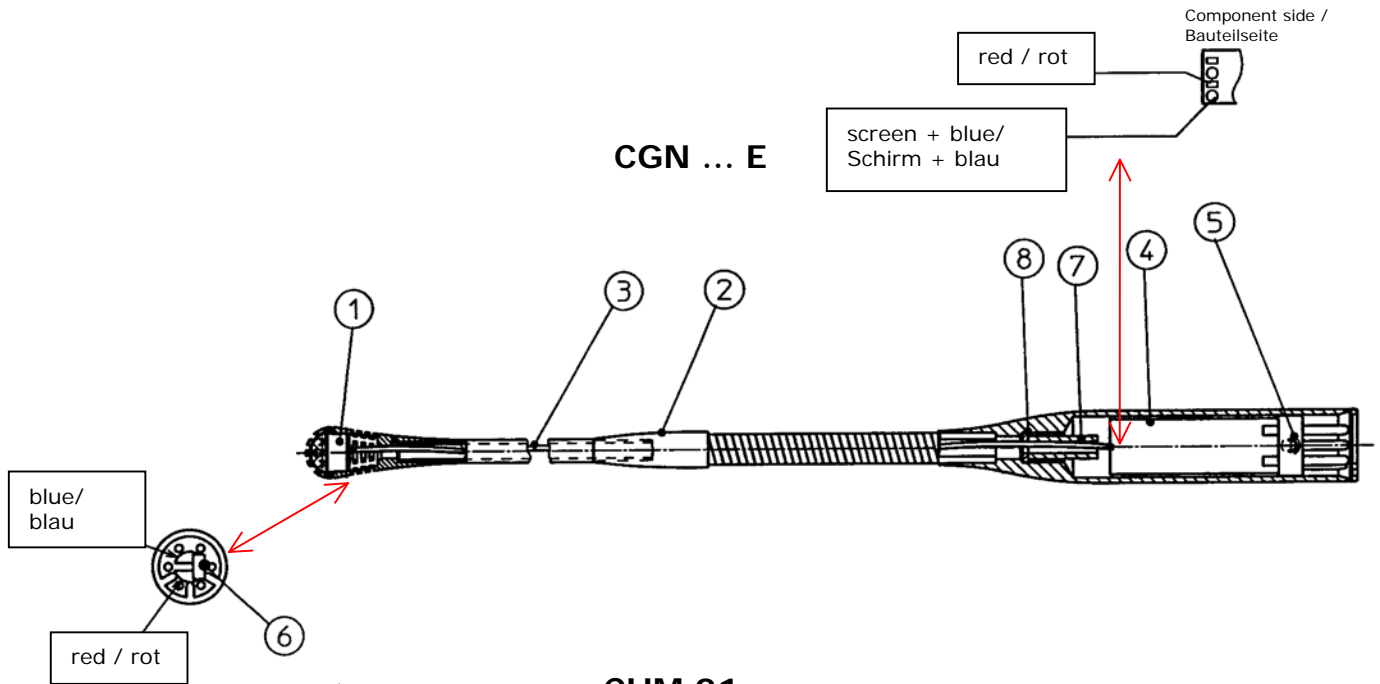


CGN 321 E 2965Z0001:A  
 CGN 323 E 2965Z0002:B  
 CGN 521 E 2965Z0003:C

CGN 523 E 2965Z0004:D  
 CHM 21 2965Z0005:E



CGN 321 E 2965Z0001:A  
 CGN 323 E 2965Z0002:B  
 CGN 521 E 2965Z0003:C

CGN 523 E 2965Z0004:D  
 CHM 21 2965Z0005:E

| Description                      | Pos. | Part Nbr.<br>Best.-Nr. | 321 | 323 | 521 | 523 | 21 | Bezeichnung               |
|----------------------------------|------|------------------------|-----|-----|-----|-----|----|---------------------------|
|                                  |      |                        | A   | B   | C   | D   | E  |                           |
| Capsule<br>New number            | 1    | 2765M0801<br>0025E0034 | 1   | -   | 1   | -   | 1  | Kapsel<br>Neue Nummer     |
|                                  |      | 2575Z0015              | -   | 1   | -   | 1   | -  |                           |
| Gooseneck                        | 2    | 2965M1101              | 1   | -   | -   | -   | -  | Schwanenhals              |
|                                  | 2    | 2965M1102              | -   | 1   | -   | -   | -  |                           |
|                                  | 2    | 2965M1103              | -   | -   | 1   | -   | -  |                           |
|                                  | 2    | 2965M1104              | -   | -   | -   | 1   | -  |                           |
| Housing                          | 2    | 2965M1003              | -   | -   | -   | -   | 1  | Gehäuse                   |
| Cap                              | 2.1  | 2965Z1501              | 1   | 1   | 1   | 1   | 1  | Kappe                     |
| Grille                           | 2.2  | 2965Z1601              | 1   | 1   | 1   | 1   | 1  | Drahtgitter               |
| Clamping ring                    | 2.3  | 2965Z1701              | 1   | 1   | 1   | 1   | 1  | Klemmring                 |
| Foam insert                      | 2.4  | 2965Z1901              | 1   | 1   | 1   | 1   | 1  | Schaumeinlage             |
| Cable with DPA                   |      | 3171Z0004              | -   | -   | -   | -   | 1  | Kabel mit DPA             |
| Cable per meter                  | 3    | 1802Z0701*)            | 0,4 | 0,4 | 0,6 | 0,6 | -  | Kabel per Meter           |
|                                  |      | 1802Z0601              | -   | -   | -   | -   | 10 |                           |
| Printed circuit board, compl.new | 4    | 2955M0602              | 1   | 1   | 1   | 1   | 1  | Print, komplett           |
| Printed circuit board, complete  | 4    | 2397M1201              | 1   | 1   | 1   | 1   | 1  | Print, komplett           |
| Screw M 2,5 x 6                  | 5    | 0966D2500              | 1   | 1   | 1   | 1   | 1  | Schraube M 2,5 x 6        |
| Capacitor 1 nF, 50 V             | 6    | 9033E1002              | 1   | -   | -   | -   | -  | Kondensator 1 nF, 50 V    |
| Capacitor 33 pF, 50 V            | 6    | 9031E3331              | -   | -   | 1   | -   | 1  | Kondensator 33 pF, 50 V   |
| Ferrite core                     | 7    | 0023E0082              | 1   | 1   | -   | -   | -  | Ferritkern                |
|                                  |      | 0023E0095              | -   | -   | -   | -   | 1  |                           |
| Clamping sleeve                  | 8    | 2765Z2501              | 1   | 1   | -   | -   | -  | Klemmhülse                |
| Hanger                           | 9    | 2765Z1401              | -   | -   | -   | -   | 1  | Aufhängung                |
| Tension relief                   | 10   | 2765Z1501              | -   | -   | -   | -   | 1  | Zugentlastung             |
| Cable tie                        | 11   | 1000N0014              | -   | -   | -   | -   | 1  | Kabelbinder               |
| Ring                             | 12   | 2690Z0501              | -   | -   | -   | -   | 1  | Ring                      |
| Connector housing                | 13   | 2765Z2401              | -   | -   | -   | -   | 1  | Steckergehäuse            |
| Shock mount H 500                | -    | 6001H0190              | 1   | 1   | 1   | 1   | -  | Elastische Halterung H500 |
| Windscreen (external)            | -    | 2965Z2001              | 1   | 1   | 1   | 1   | 1  | Äußerer Windschutz        |

\*) Available in multiple lengths of one meter only

\*) Nur in Längen auf ganze Meter gerundet erhältlich

**Attention:** Serviceability of products is limited. The cable is glued inside the flexible shaft. That's why a replacement of the capsule is difficult. It may be necessary to exchange the cable as well. Remains of the old cable can be removed with a long drill.

**Achtung:** Geräte sind eingeschränkt servicebar. Das Kabel ist im Schwanenhals verklebt. Ein Kapseltausch ist daher schwierig. Nötigenfalls muss auch das Kabel getauscht werden. Reste des Kabels können mittels langem Bohrer entfernt werden.