



H A Harman International Company

GN 15 HT

Gooseneck Adapter for Wireless Microphone Systems

Description

With the GN 15 HT, any AKG HT 61, 80 or 81 handheld transmitter can be converted into a portable gooseneck microphone. This new module is ideal for speech reinforcement applications, such as conferences, presentations, or press events, where time or aesthetics do not allow for the setup of a wired microphone system. The GN 15 HT is compatible with all five of AKG's Discreet Acoustics Capsule modules (CK 31, 32, 33, 47 and 80). The GN 15 HT module also features a highly visible LED ring around its neck that indicates battery/operation status.

In application, the GN 15 HT modules screw into the base of the HT 61/80/81 handheld transmitting modules. The transmitting module can then be placed in any compatible base for table or podium mounting and the gooseneck portion positioned as desired.

Specifications

Connectors:	HT 61/80/81
Finish:	matte gray/black
Size:	maximum 7.6 in. (192 mm); maximum diameter 1.4 in. (36 mm)
Net/shipping weight:	5 oz./12.2 oz. (143 g/345 g)

For transmitter specifications, see data for WMS 61, 80, 81 wireless systems

For microphone type, bandwidth and polar specifications, see data for CK 31/32/33/47/80 modules



Features

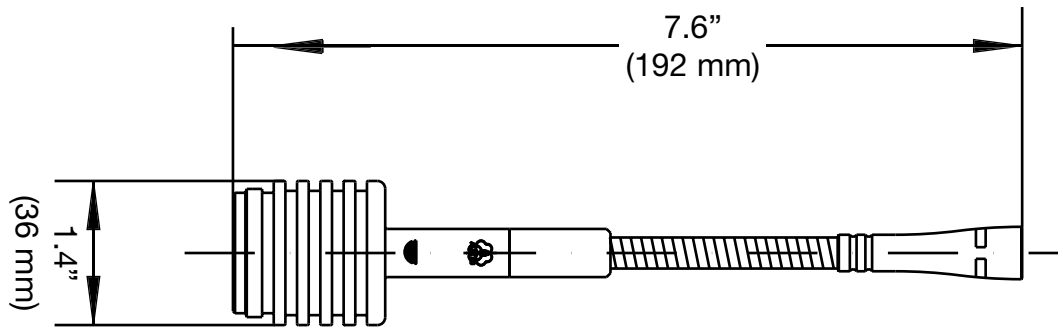
- Transforms any AKG WMS 61, 80 or 81 handheld transmitter into a portable gooseneck microphone
- Accepts five different capsule modules
- LED ring lights up when microphone is powered

Architects and Engineers Specifications

The installation module shall be a 7.6 in. (192 mm) long gooseneck module for attachment to any AKG HT 61, 80 or 81 handheld transmitter. An LED ring shall indicate the operating status (on or off) of the transmitter. The installation module shall be fitted with a

screw thread for attaching various capsule modules and finished with several layers of dark gray enamel. The net/shipping weight of the installation module shall be 5.0/12.2 oz. (143 /345 g.) The installation module shall be the AKG Acoustics Model GN 15 HT.

Graphical Data



AKG is constantly improving and modifying its products, therefore, specifications are subject to change without notice.

Limited Warranty

Valid only in the United States. AKG Acoustics warrants AKG products against defects in material or workmanship for a period of two years from the date of original purchase for use, and agrees to repair or, at our option, replace any defective unit without charge for either parts or labor. Important: This warranty does not cover damage resulting from accident, misuse or abuse, lack of reasonable care, the affixing of any attachment not provided with the product, loss of parts or connecting the product to any but the specified receptacles. This warranty is void unless service or repairs are performed by an authorized service center. No responsibility is assumed for any special, incidental

or consequential damages. However, the limitation of any right or remedy shall not be effective where such is prohibited or restricted by law. Simply take or ship your AKG product prepaid to our service department. Be sure to include your sales slip as proof of purchase date. (We will not repair transit damage under the no-charge terms of this warranty.) Note: No other warranty, written or oral is authorized by AKG Acoustics, Inc. This warranty gives you specific legal rights, and you may also have other rights which vary from state to state. Some states do not allow the exclusion or limitation of incidental or consequential damages or limitation on how long an implied warranty lasts, so the above exclusions and limitation may not apply to you.

Microphones · Headphones · Wireless Microphones · Wireless Headphones · Headsets · Electroacoustical Components



H A Harman International Company

AKG Acoustics GmbH
Lemböckgasse 21-25, P.O.B. 158, A-1230
Vienna/AUSTRIA
Tel: (43 1) 86 654-0*, Fax: (43 1) 86 654-516
Internet: <http://www.akg.com>

AKG Acoustics; A Division of Harman Pro Germany
Bodenseestraße 228, D-81243 München/GERMANY
Tel: (089) 87 16-0, Fax: (089) 87 16-200

Arbiter Pro Audio
Wilberforce Road, London NW9 6AX/ENGLAND
Tel: (0181) 202 1199, Fax: (0181) 202 7076

AKG ACOUSTICS, U.S.
914 Airpark Center Drive
Nashville, TN 37217, U.S.A.
Tel: (615) 620-3800, Fax: (615) 620-3875

Studer Japan Ltd.
2-43-7, Uehara, Shibuya-ku, Tokyo 151-0064/JAPAN
Tel: (813) 3465-2211, Fax: (813) 3465-2214

Erikson Pro Audio
620 McCaffrey, St-Laurent, Quebec, H4T 1N1, CANADA
Tel: (514) 738-3000, Fax: (514) 737-5069
Internet: www.jam-ind.com/eriksonpro